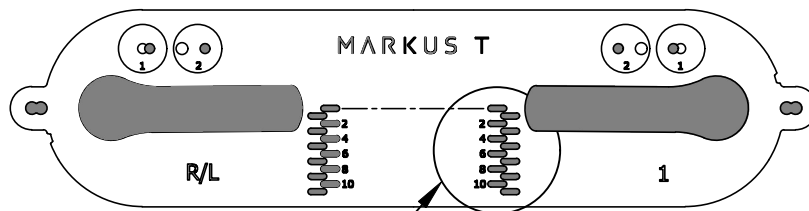
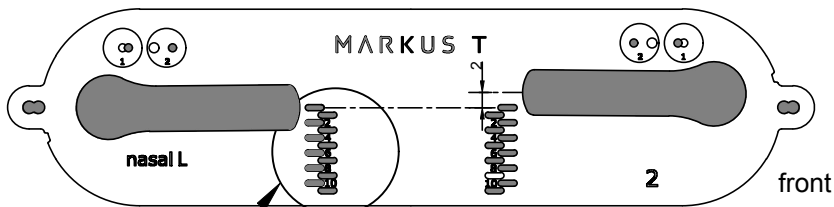


drilling stencil "1"

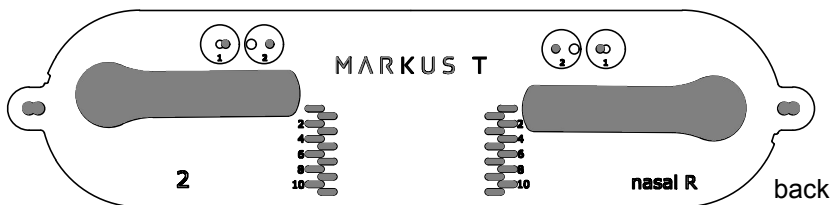


offset to the geometric centerline in mm

drilling stencil "2"

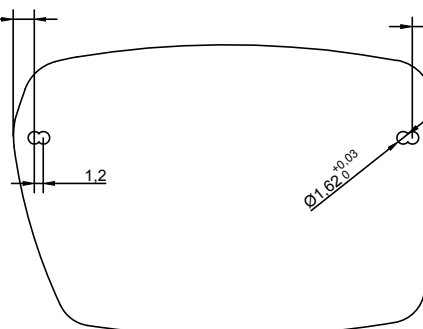


offset to the geometric centerline in mm



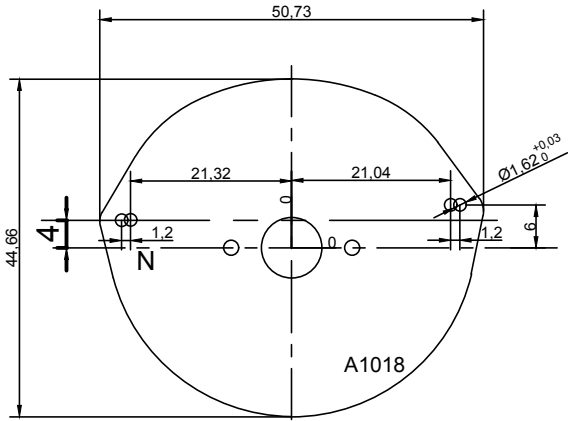
Minimum clearance from edge of the lense to outer borehole: 2,85mm

Minimum clearance from edge of the lense to outer borehole: 2,85mm

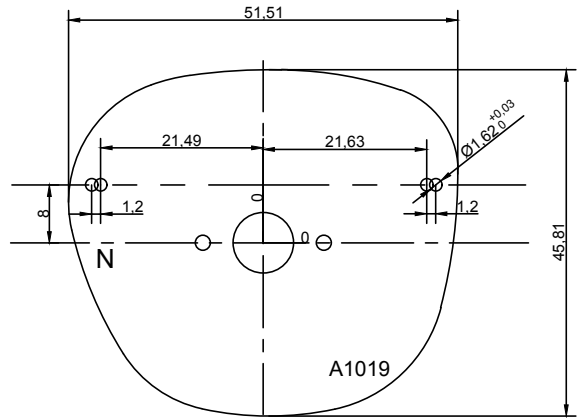


recommendation for drilling diameter:

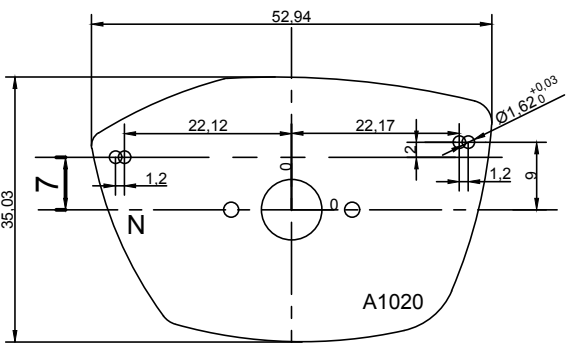
- for drilling with lense edging machine: program to $\varnothing 1,62\text{mm}$
- for manual drilling with the drilling stencil: use a drill with $\varnothing 1,65\text{mm}$



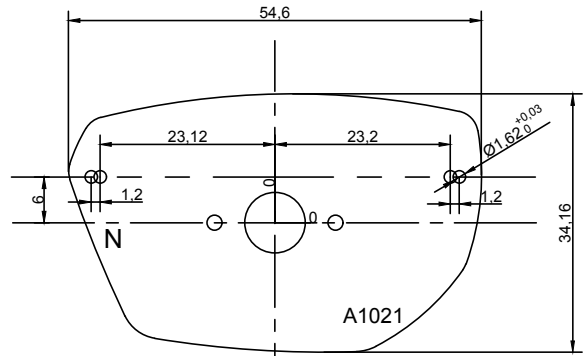
drilling stencil "2"



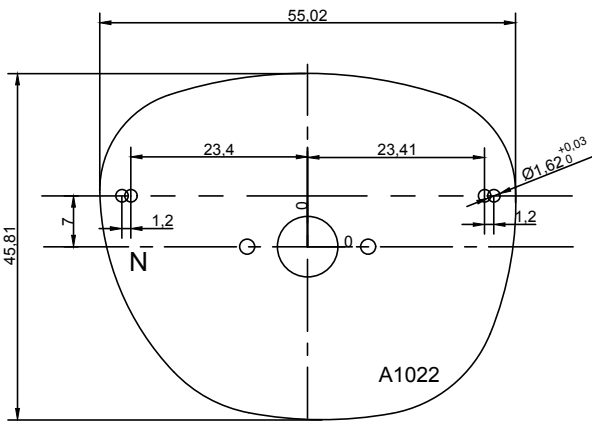
drilling stencil "1"



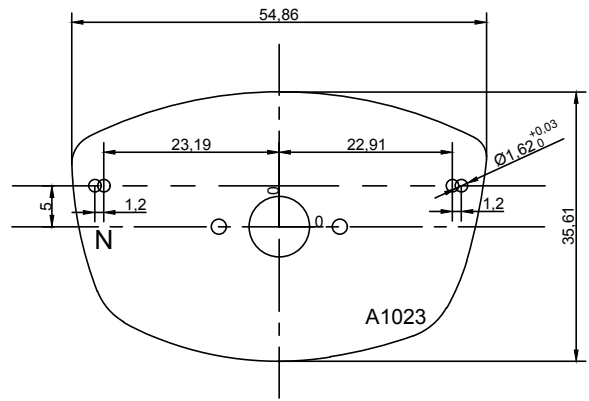
drilling stencil "2"



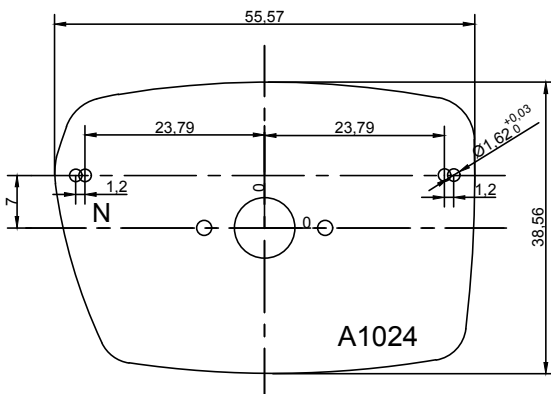
drilling stencil "1"



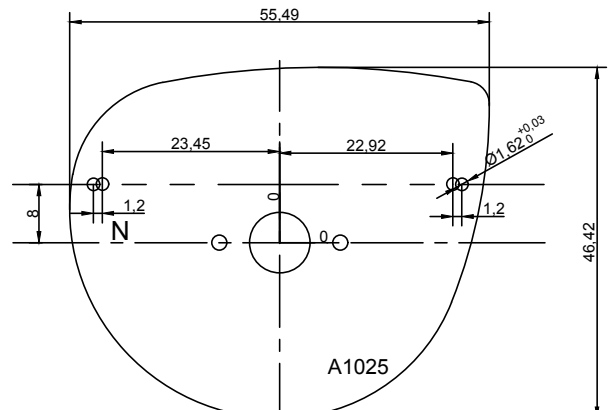
drilling stencil "1"



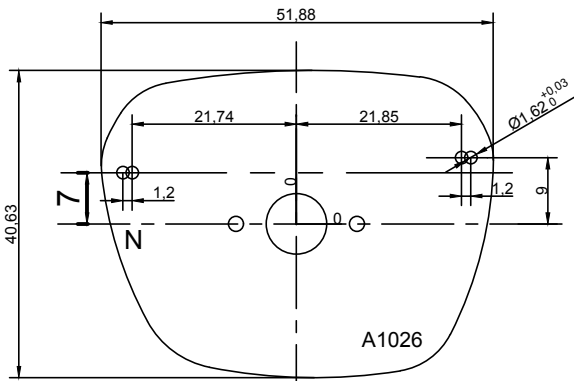
drilling stencil "1"



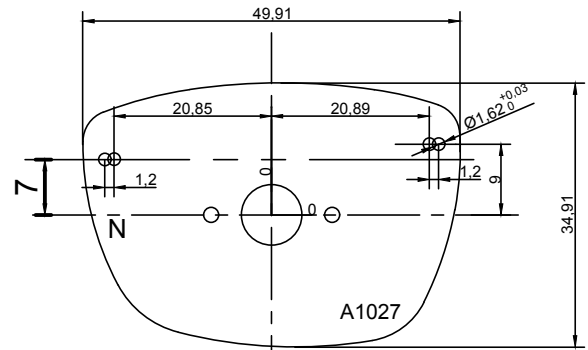
drilling stencil "1"



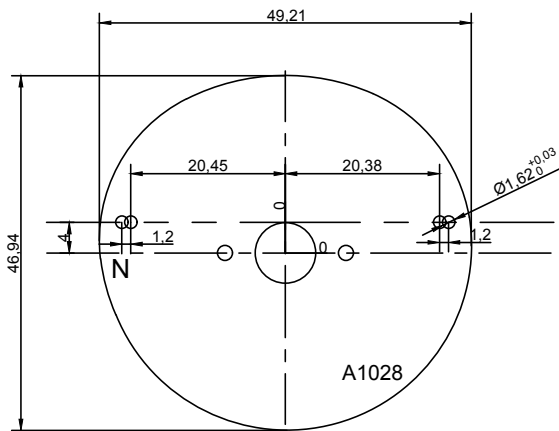
drilling stencil "1"



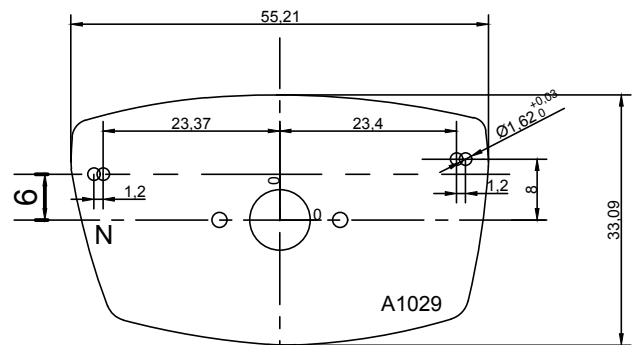
drilling stencil "2"



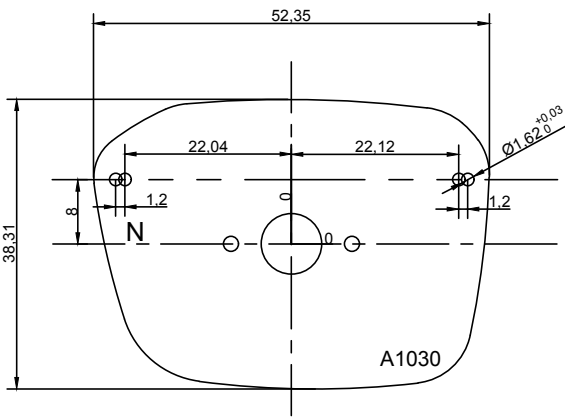
drilling stencil "2"



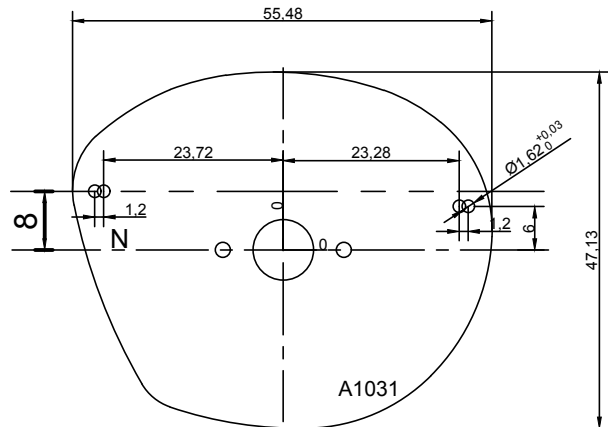
drilling stencil "1"



drilling stencil "2"



drilling stencil "1"



drilling stencil "2"

attention: for this model use "nasal" as temporal, since the temporal borehole is offset down instead of up.